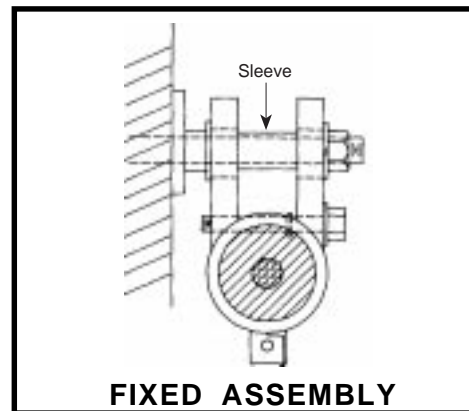
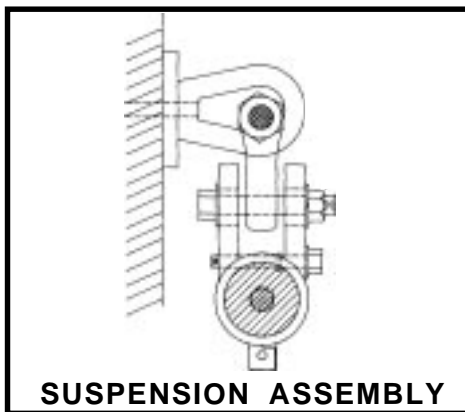
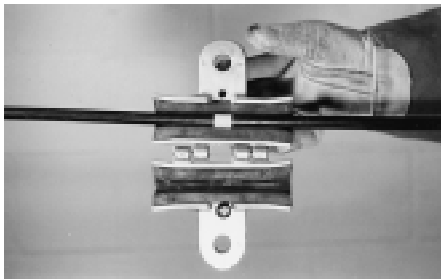


ASSEMBLY TYPES

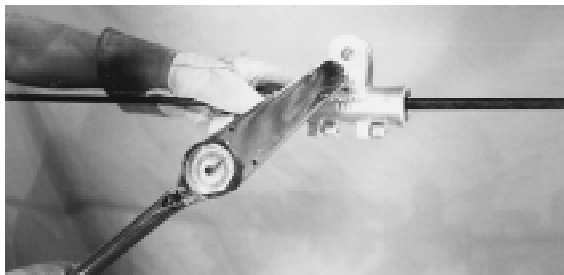


INSTALLATION INSTRUCTIONS



1. SUSPENSION TYPE

Once the Eye or Through Bolt has been installed, open the hinged FOS Unit and place the cable in the open insert. Marking the center mark of the suspension point as shown is optional.



2. Secure the halves together by tightening the 3/8" Stainless Steel Bolt between 15 and 20 Ft. Lbs.



3. Attach the FOS Unit to the Eye Bolt or Shackle using the provided 5/8" Bolt. Tighten the 5/8" Nut until the Splitwasher is almost compressed. **Do Not Over-tighten, which could bend or damage the Ears.**

FIXED ASSEMBLY

1. REPEAT STEPS 1 & 2 FOR SUSPENSION TYPE.
2. PLACE THE SPACER BETWEEN THE EARS OF THE FOS AND SLIDE THE ASSEMBLY ONTO THE THROUGH BOLT. SECURE THE ASSEMBLY WITH PROPER SIZE LOCK WASHER AND NUT.

NOTE: THROUGH BOLT NOT PROVIDED WITH FIXED ASSEMBLY.